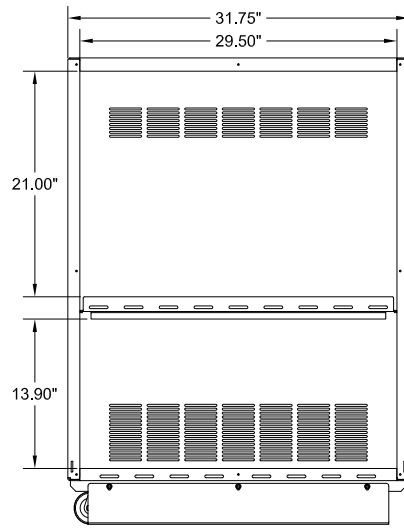
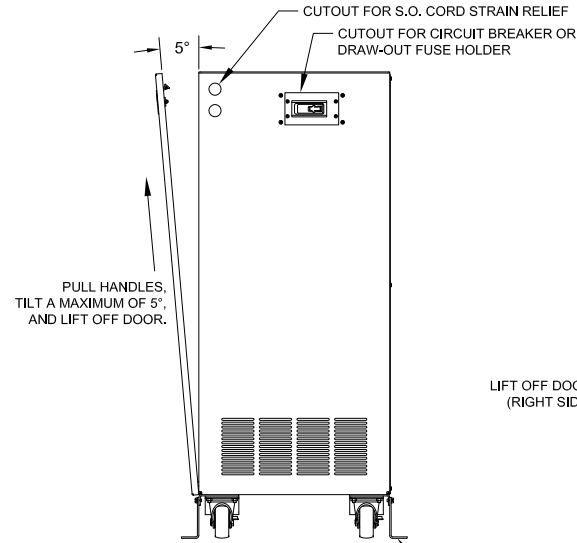


FRONT VIEW

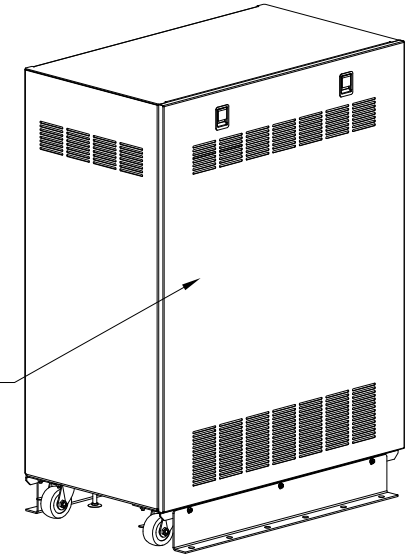


RIGHT SIDE VIEW - SINGLE SHELF (COVER REMOVED)

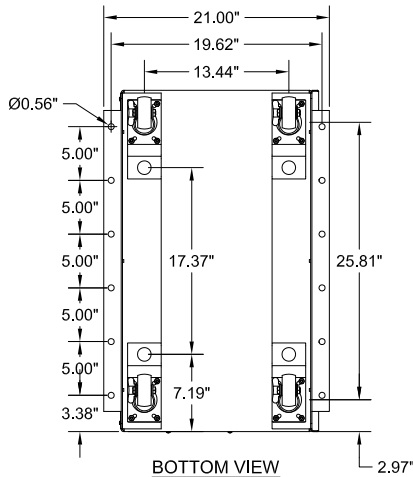


REAR VIEW

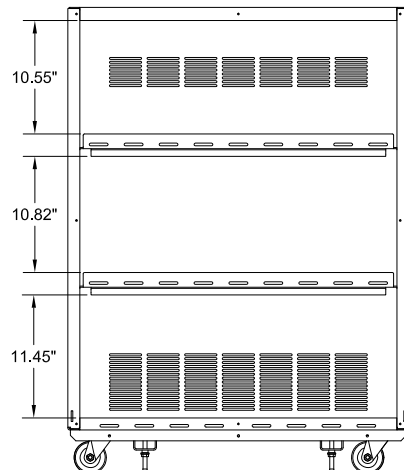
EQ BRACKETS



LIFT OFF DOOR (RIGHT SIDE)



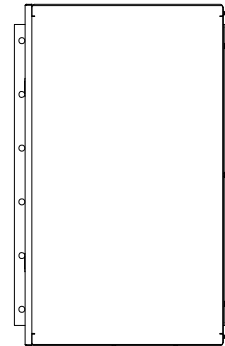
BOTTOM VIEW



RIGHT SIDE VIEW - DUAL SHELF (COVER REMOVED)
EQ BRACKETS REMOVED

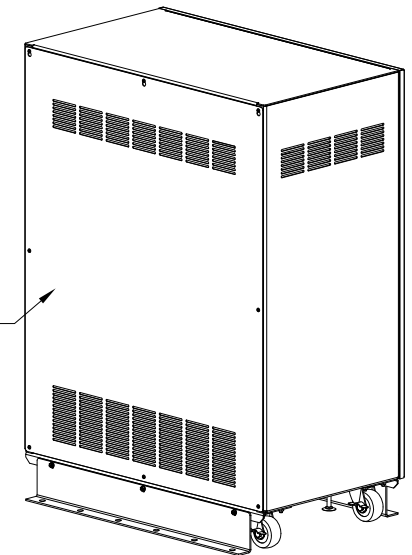
LOCKABLE SWIVEL CASTERS

ADJUSTABLE LEVELING FEET



TOP VIEW

SCREW ON COVER (LEFT SIDE)

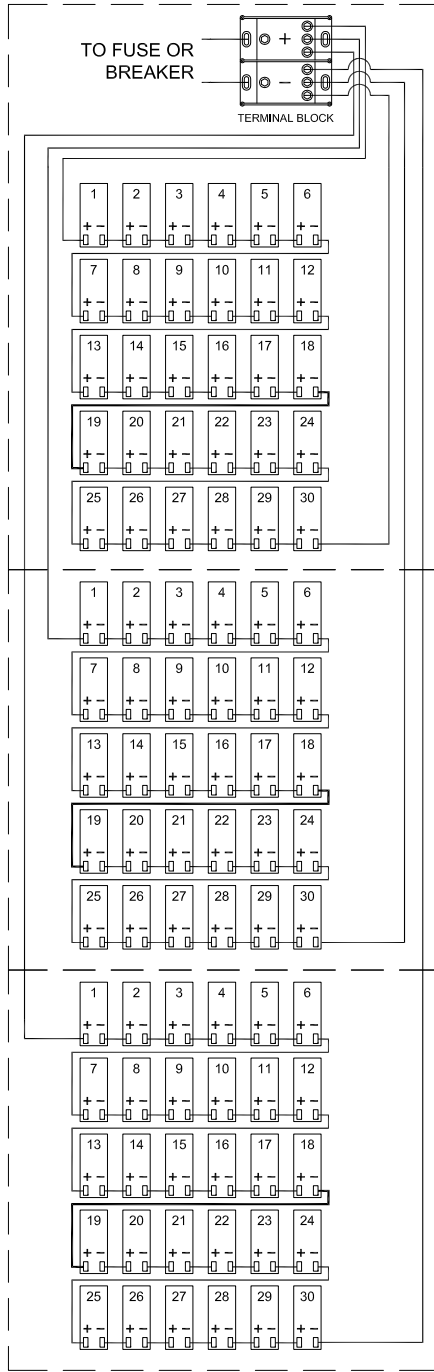


CABINET NOTES:

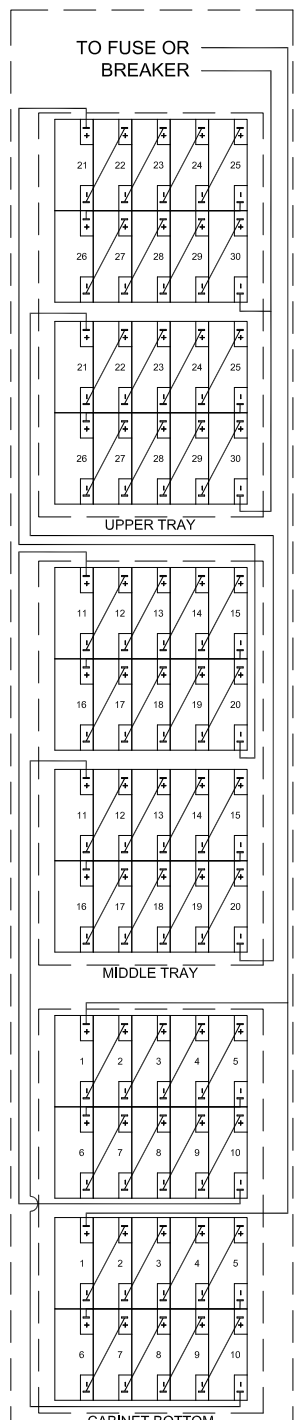
EMPTY CABINET WEIGHT: 165 LBS

1. NEMA 1 ENCLOSED BATTERY CABINET.
2. FACTORY ASSEMBLED CABINETS ARE LISTED TO UL 1778.
3. HEAVY GAUGE WELDED STEEL CONSTRUCTION.
4. AVAILABLE IN MULTIPLE COLORS OF DURABLE CHIP AND CORROSION RESISTANT POWDER COAT FINISH.
5. BATTERIES CAN BE ACCESSED FROM THE SIDES BY REMOVING COVERS.
6. CABINET IS SUPPLIED ON SKID WITH HEAVY DUTY RAMP FOR EASY UNLOADING. CABINET IS TO BE MOVED USING THE CABINET CASTERS.

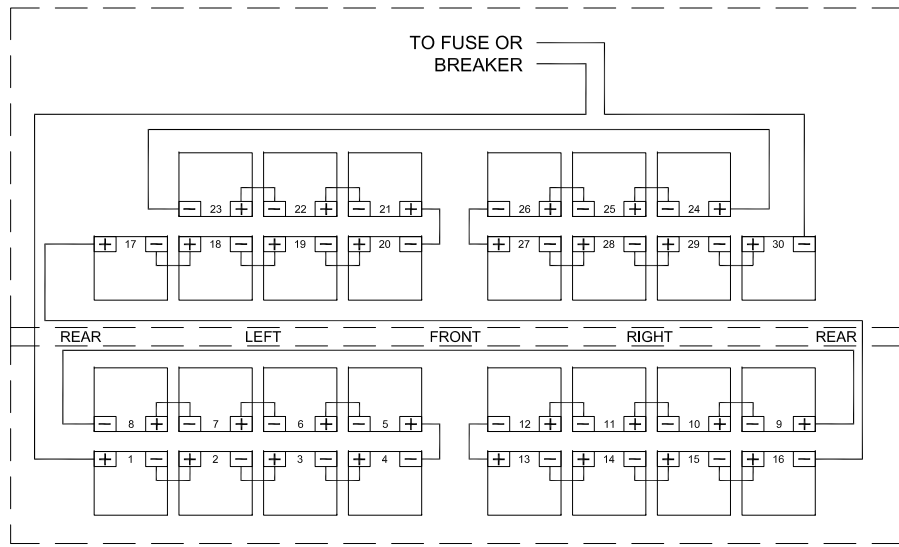
| BC14 BATTERY CABINET | | | |
|--|-------------|------------|--------------|
| MECHANICAL DRAWING | | | |
| DIMENSIONS ARE IN INCHES | TOLERANCES: | INITIALS | DATE |
| DECIMALS: .XX ±.03 | ANGLES: ±1° | DRAWN JRL | 07/16/13 |
| .XXX ±.015 | | CHECKED CH | 07/16/13 |
| MATERIAL: SEE NOTES SHEET 1 | | | |
| FINISH: SEE NOTES SHEET 1 | | | |
| CAD GENERATED DRAWING DO NOT MANUALLY UPDATE | | | |
| SCALE: NTS | SIZE: A | REV: 4 | SHEET 1 OF 2 |
| <p>THE INFORMATION CONTAINED IN THIS DRAWING IS THE SOLE PROPERTY OF C&C POWER, INC. ANY REPRODUCTION WITHOUT THE WRITTEN CONSENT OF C&C POWER, INC IS PROHIBITED.</p> <p>C&C POWER ENGINEERED POWER PRODUCTS WWW.CCPower.COM</p> <p>© 2013 C&C POWER, INC. ALL RIGHTS RESERVED</p> | | | |



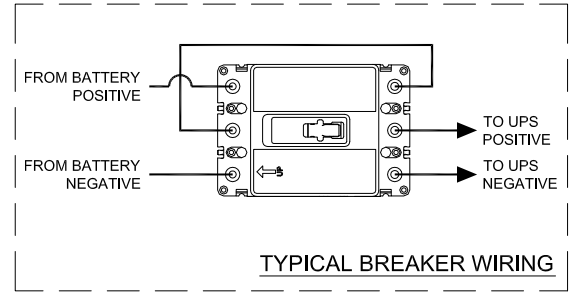
CABINET FRONT
7AH/35W BATTERY



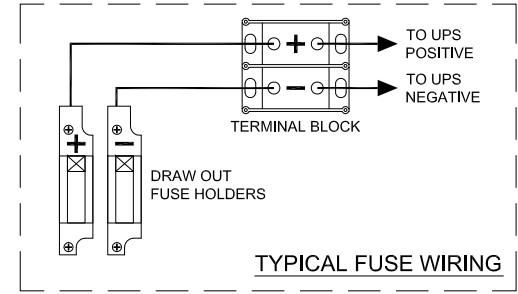
CABINET FRONT
18AH/80W BATTERY



150W BATTERY
(BATTERIES LAY ON THEIR SIDES WITH TERMINALS FACING SIDES OF CABINET)



TYPICAL BREAKER WIRING



TYPICAL FUSE WIRING

ELECTRICAL NOTES:

1. ALL INTERNAL WIRING IS UL LISTED, MTW, STYLE, 105C, EXTRA FLEXIBLE CABLE.
2. FUSE IS UL RECOGNIZED, TYPE A4J OR JLS.
3. DRAW OUT FUSE HOLDERS ARE SHIPPED WITH THE FUSES REMOVED FOR ADDED SAFETY.
4. BREAKER IS UL LISTED.
5. TERMINAL BLOCK IS UL RECOGNIZED, 600V RATED.
6. BATTERY CABINETS WITH BREAKERS ARE SHIPPED WITH BREAKER IN THE OFF/OPEN POSITION.
7. GROUND CONNECTION IS 1/4-20 STUD.

| BC14 BATTERY CABINET ELECTRICAL DRAWING | | | |
|---|---------|----------|---|
| DIMENSIONS ARE IN INCHES | | INITIALS | DATE |
| TOLERANCES: | | DRAWN | JRL |
| DECIMALS: | ANGLES: | CHECKED | CH |
| .XX ±0.3 | ±1" | | 06/03/13 |
| .XXX ±0.15 | | | |
| MATERIAL: SEE NOTES SHEET 1 | | | |
| FINISH: SEE NOTES SHEET 1 | | | |
| CAD GENERATED DRAWING DO NOT MANUALLY UPDATE | | | |
| SCALE: | SHEET: | REV: | |
| NTS | A | 3 | SHEET 2 OF 2 |
| <p>C&C POWER ENGINEERED POWER PRODUCTS WWW.CCPOWER.COM</p> | | | <p>© 2013 C&C POWER, INC. ALL RIGHTS RESERVED</p> |

DRAWING #: 91410-SDC01-2 REV.3