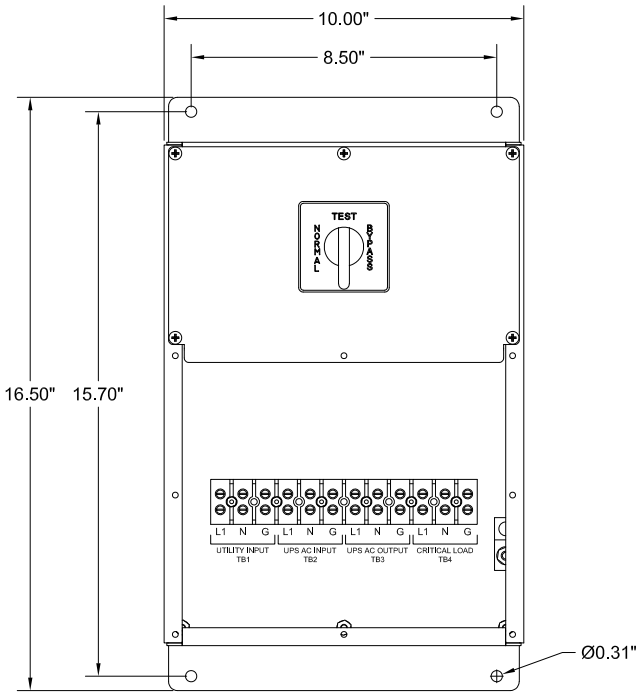
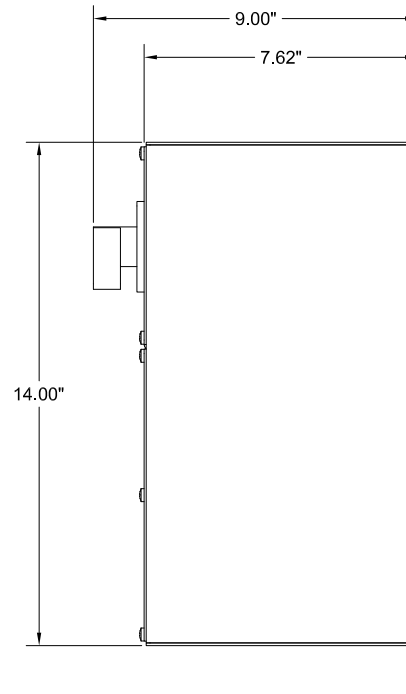


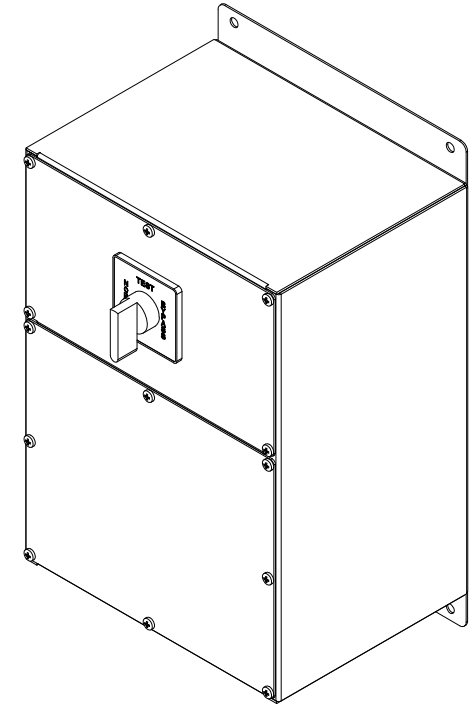
TOP VIEW



FRONT VIEW
(COVER REMOVED)



SIDE VIEW



NOTES:

1. APPROXIMATE WEIGHT: 35 LBS.
2. ASSEMBLY IS LISTED TO UL 1778.
3. NEMA 1 WALL MOUNT ENCLOSURE.
4. THE ENCLOSURE & COVERS ARE CONSTRUCTED FROM HEAVY GAUGE STEEL.
5. FINISH IS DURABLE POLYESTER TGIC POWDER COAT.
6. THE CABINET IS TO BE MOUNTED THROUGH THE $\varnothing 0.312$ " HOLES ON THE MOUNT BRACKETS ON THE ENCLOSURE.

93802 SERIES WALL MOUNT MAINTENANCE BYPASS SWITCH
50A-60A, 120V/240V/277V/347V, 1Ø/2W/G

MAKE BEFORE BREAK

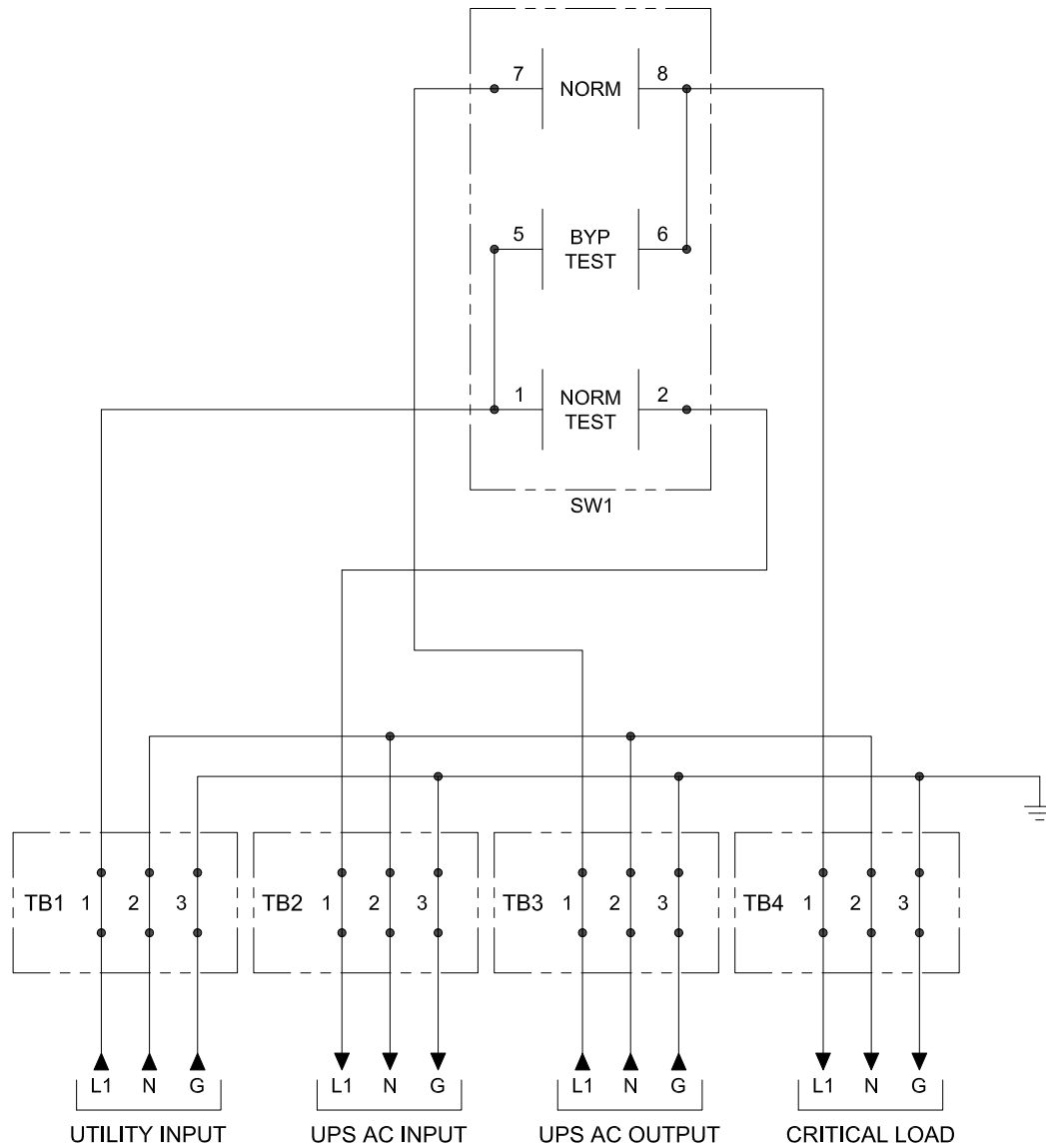
THE INFORMATION CONTAINED IN THIS DRAWING IS THE SOLE PROPERTY OF C&C POWER, INC. ANY REPRODUCTION WITHOUT THE WRITTEN CONSENT OF C&C POWER, INC IS PROHIBITED.

DIMENSIONS ARE IN INCHES		INITIALS	DATE
TOLERANCES:	DECIMALS:	DRAWN	CH
ANGLES:	XXX ±.13	CHECKED	CH
	.XXX ±.082		9/24/2020

SCALE: SEE A NTS REV: 1 SHEET 1 OF 2

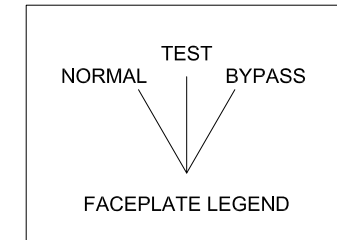
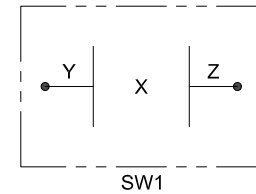
C&C POWER
ENGINEERED POWER PRODUCTS
WWW.CCPOWER.COM

© 2020 C&C POWER, INC.
ALL RIGHTS RESERVED



ROTARY SWITCH SW1 NOTES:

1. "X" INDICATES THE SWITCH POSITIONS THAT THE CONTACT IS CLOSED.
2. "Y" & "Z" INDICATE THE TERMINAL NUMBERS.



NOTES:

1. TB1, TB2, TB3, & TB4 ACCEPT BARE WIRE FROM #18 - #4 AWG.
2. THE MAIN GROUND LUG ACCEPTS BARE WIRE FROM #14 - 1/0 AWG.
3. THIS DRAWING IS TO BE USED FOR ELECTRICAL PURPOSES ONLY AND DOES NOT REPRESENT THE ACTUAL MECHANICAL LAYOUT OF THE EQUIPMENT.

93802 SERIES WALL MOUNT MAINTENANCE BYPASS SWITCH			
50A-60A, 120V/240V/277V/347V, 1Ø/2W/G			
MAKE BEFORE BREAK			
THE INFORMATION CONTAINED IN THIS DRAWING IS THE SOLE PROPERTY OF C&C POWER, INC. ANY REPRODUCTION WITHOUT THE WRITTEN CONSENT OF C&C POWER, INC IS PROHIBITED.			
DIMENSIONS ARE IN INCHES		INITIALS	DATE
TOLERANCES:		DRAWN CH	9/24/2020
DECIMALS: .XX ±.13	ANGLES: ±1°	CHECKED CH	9/24/2020
SCALE: NTS	SHEET: A	REV: 1	SHEET 2 OF 2
		C&C POWER ENGINEERED POWER PRODUCTS WWW.CCPOWER.COM © 2020 C&C POWER, INC. ALL RIGHTS RESERVED	